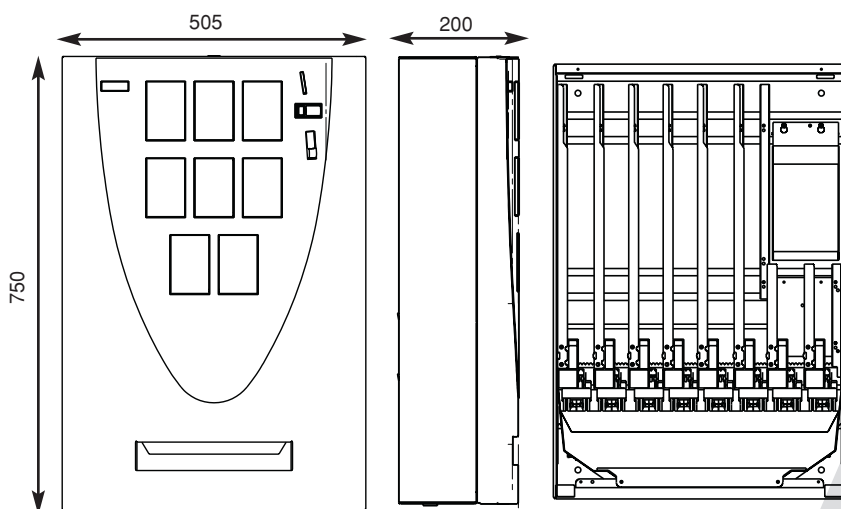


Skyline

New Horizons



Skyline



TECHNICAL DATA

TECHNICAL DATA	SKYLINE
Standard Capacity (Packets)	150
Nº of decals	8
Nº of columns	8 (6 x 525 / 2 x 215)
Machine dimensions (mm)	750 x 505 x 200
Packaged machine dimensions (mm)	770 x 585 x 255
Net weight / gross weight (Kg)	28 / 30
Voltage	220V - 50Hz
Type of connection	Single-phase

EQUIPMENT AND OPTIONS

EQUIPMENT AND OPTIONS	SKYLINE
4 digit display	•
Alarm led	•
Product sold out displayed	•
Change finished displayed	•
Pushbutton buzzer	•
Pushbutton and delivery tray illumination	•
2 point high security locking system	•
Inside decals cover	•
High capacity cashbox	•
Total and partial statistics	•
Selector	•
Bank-note reader	•
Hopper	•
Master key	•
Security key	•
Modem	•
gmcom management	•

• Equipment • Options



Carretera de Zaragoza Km.5
31110 Noáin (Navarra) - España
Tfno.: +34 948 31 64 02
Fax: +34 948 31 64 03
E-mail: export@gmepex.com
www.gmvending.com



GM Vending reserves the right to make changes without notice.

GMS000051